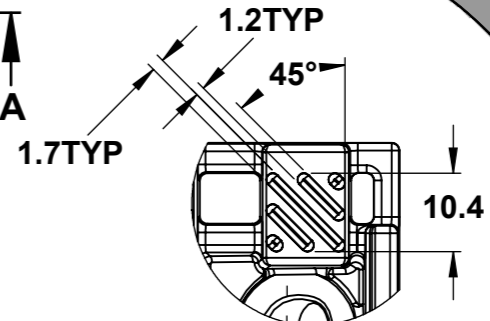
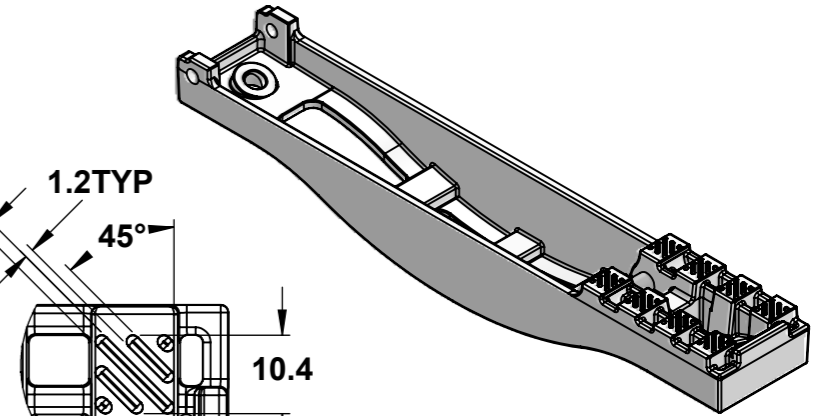
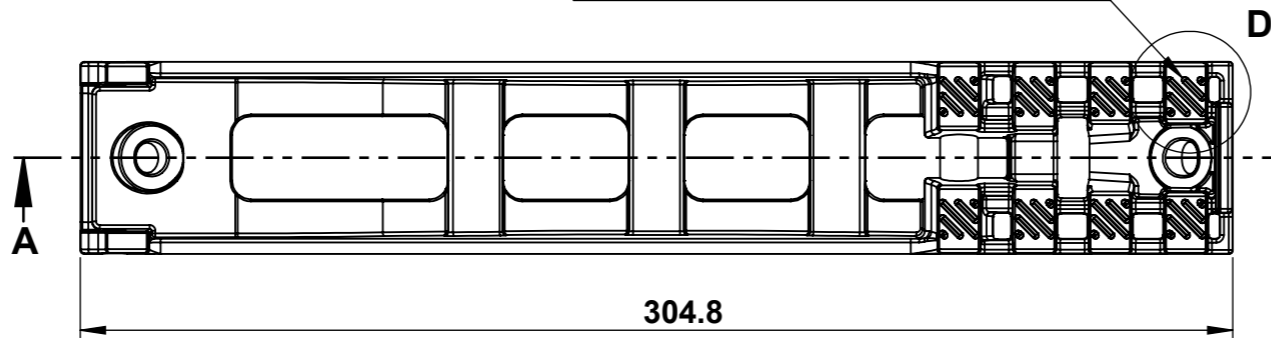
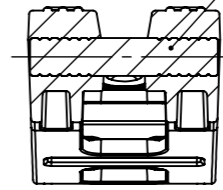


REVISIONS		
ISSUE	DATE	DESCRIPTION
A	24/10/2022	Initial release.
B	30/03/2023	Adjusted mounting bosses added strengthening ribs

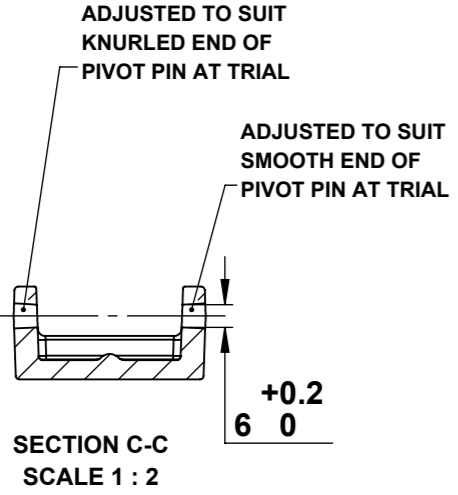
TEXTURE PATTERN ON ALL BARS



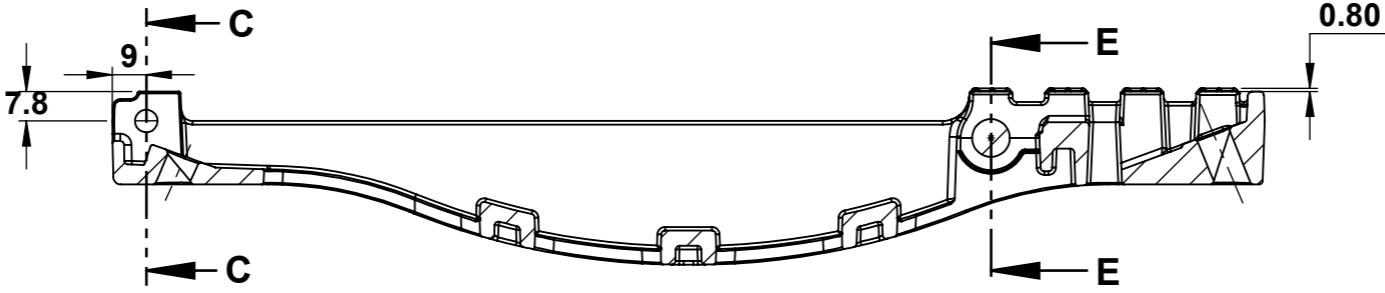
Anchor Pin
(Moulded in position)



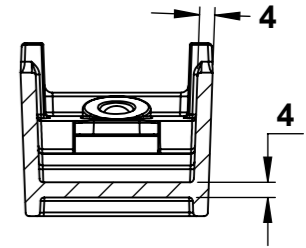
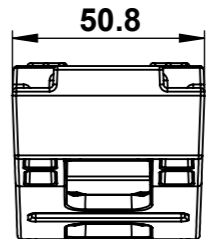
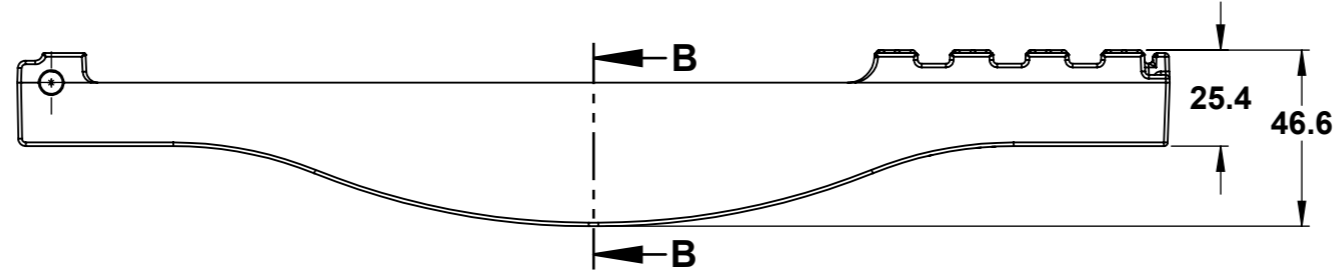
SECTION E-E
SCALE 1 : 2



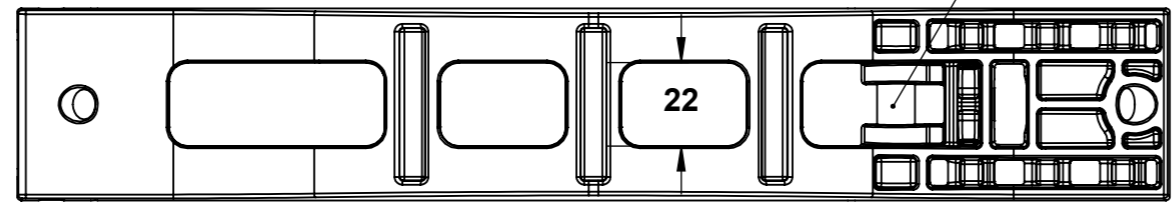
SECTION C-C
SCALE 1 : 2




SECTION A-A
SCALE 1 : 2



SECTION B-B
SCALE 1 : 2



Anchor Pin
(Moulded in position)

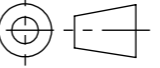
VOLUME: 139 cc		ISSUED FOR: <input type="checkbox"/> REFERENCE <input type="checkbox"/> PRODUCTION <input checked="" type="checkbox"/> QUOTATION ONLY <input type="checkbox"/> CLIENT APPROVAL <input type="checkbox"/> PROTOTYPE <input type="checkbox"/> PRELIMINARY TOOLING
MATERIAL: PVC		
FINISH: COLOUR:		
DESCRIPTION: DPAS-12 Lane Rope Base		SCALE 1:1
FILE NO: DPAS 12-03-Lane Rope Cover-05-Base		SHEET 1 OF 1 A3

- NOTES:
- SEE 3D FILE FOR MORE DETAILS
 - PROVIDE MINIMUM DRAFT ANGLES WHERE REQUIRED
 - APPROXIMATE WEIGHT BASED ON PVC DENSITY OF 1.4g/cc IS 194.6g

COPYRIGHT:
THIS DOCUMENT IS THE PROPERTY OF DALDORADO PTY. LTD. AND IS PROVIDED ON AN IN-CONFIDENCE BASIS. IT MAY NOT BE COPIED OR REPRODUCED WITHOUT THE PRIOR PERMISSION OF DALDORADO OR IT'S AUTHORISED AGENT.
ALL DIMENSIONS IN mm UNLESS STATED OTHERWISE

TOLERANCE UNLESS SPECIFIED (Injection Moulding)	
0 to 10mm	±0.20
11 to 25mm	±0.3
26 to 50mm	±0.4
51 to 120mm	±0.6
121 to 250mm	±1.0
251 to 400mm	±1.3
401 to 500mm	±1.6
501mm AND OVER	±0.35%
ANGULAR	±0°30'

THIRD ANGLE PROJECTION
DO NOT SCALE
IF IN DOUBT ASK



DRAWN: GK
DATE: 30 MAR 2023
CHECKED: M TURNER
APPROVED: R LAWSON
CLIENT: R.LAWSON